

# Tipping valves model FE 40

## New coils and spools

Due to supply chain constraints we are forced to modify coils and spools of electric tipping valves model FE 40. Although the new coils and spools offer the same features, they are not interchangeable with the previous models as they have a different internal diameter.

Therefore, in case of spare parts you need to check the specific model required and order the correct version (see picture below).

The new coils have different external hexagonal shape as shown in the picture.

**NOTE 1** : due to the hexagonal shape of the new coil it is not possible to rotate it fully once fitted. In case you need to orientate it into a different position, you have to slide the spool out and rotate the coil into the desired spot.

**NOTE2**: part numbers of the current FE 40 tipping valves will remain the same.

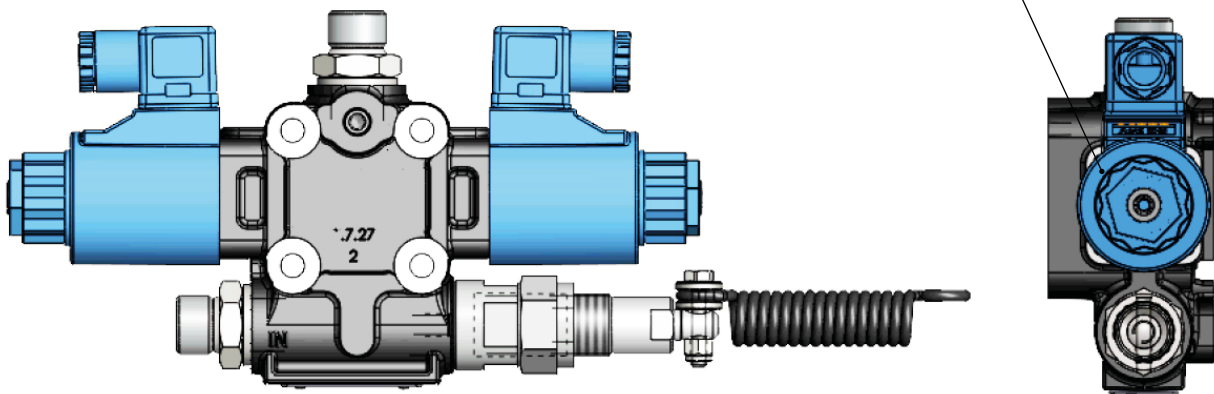
### FE valve with old style coil (Circular shape)

Spare parts: 12V: coils are not available anymore, it's necessary to order the assembly coil + spool

**12190200208 FE40/EV16 ELECTRIC VALVES CONTROL KIT 12V-DC**

24V: Spare coil

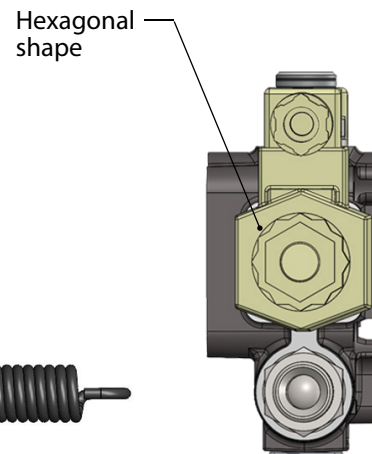
**12190200191 COIL WITHOUT CONNECTOR 24V**



### FE Valve with new coil (hexagonal shape)

Spare parts: **12190200253 COIL WITHOUT CONNECTOR 12V**

**12190200262 COIL WITHOUT CONNECTOR 24V**



The sales department is at your disposal for any clarifications.